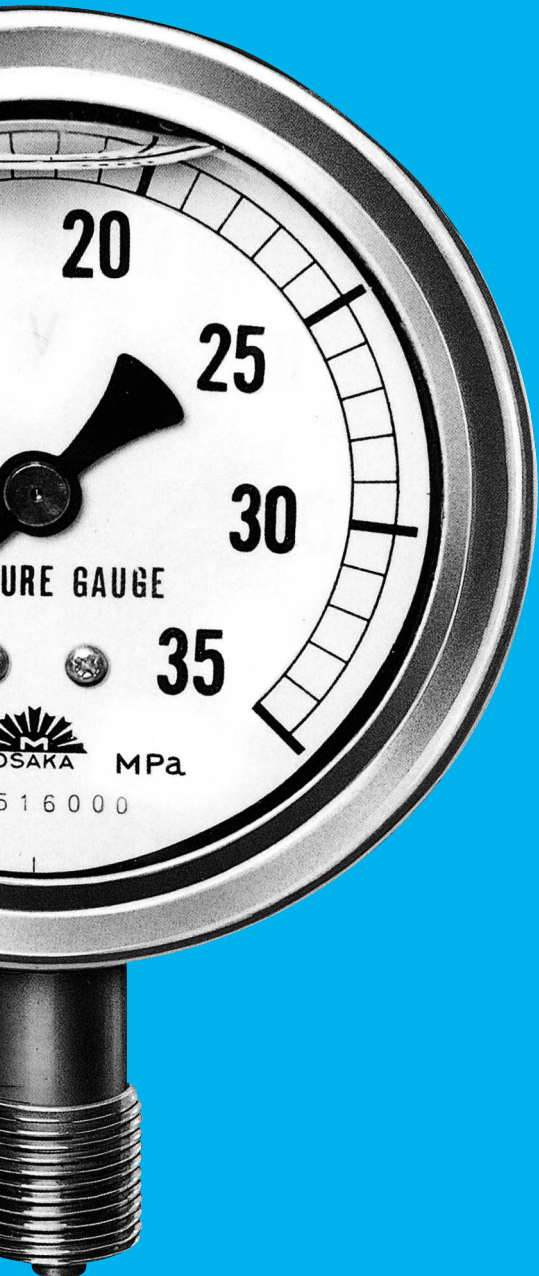


# Oil-sealed Pressure Gauges



# OIL-SEALED PRESSURE GAUGES



ASAHI GAUGE MFG. CO., LTD.  
JAPAN

# Oil-sealed pressure gauge



A type



B type



D type

## Description

Pressure gauge installed at the place where the mechanical vibration exists, causing terrible shake of its pointer and may result in the operation failure in a short time. Oil-sealed pressure gauge is the most suitable for using in such place. Silicon oil is filled in 775E contact type.

## Structure

Internal mechanism in the case and the pointer are enclosed in glycerine in order to absorb the strong outer vibration by means of utilizing glycerine viscous resistance.

## Features

- 1 Case is completely sealed and stainless steel.
- 2 Particularly long life Bourdon-tube is used.
- 3 **Glycerine solution**  
The glycerine solution (The Fire Services Act; Third Petroleum and Oils Group of the Fourth Category) that withstands the low temperature application is applied and it is harmless even if used in the food industry. Glycerine also reduces risk even if a fire took place.
- 4 **Zero adjustment mechanism**  
Product of 100φ is available to install the external zero adjustment by the customer specification.
- 5 **Durability**  
It provides excellent durability in comparison with the general pressure gauges. (See the back of this page.)

## When ordering

(Model) x (Range)  
Specify with or without zero adjustment for 100φ.

Example  
775-B851-5MPa with zero adjustment  
is based on the follows: Case: B type, Wet part thread: 1/2R, Dial dia: 100φ, Range: 5MPa, with zero adjustment, Element material: SUS316.

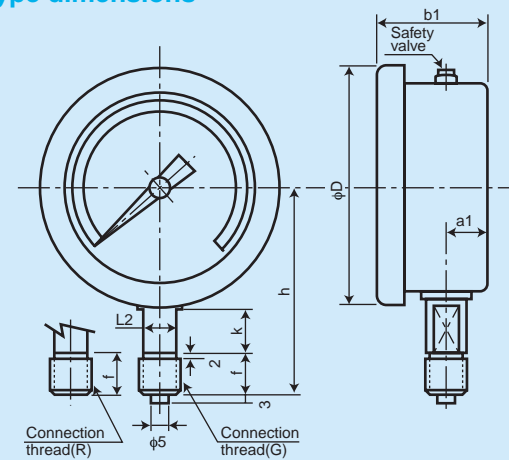
## Standard specifications of Oil-Sealed pressure gauge

Size	Casing	Connection thread	Connection shape	Model		Pressure range			Case			Glass	Liquid media	Ambient temperature	Weight
				Bs	SUS	Vacuum	Compound	Pressure	Material	Finish	Type				
60	A	G 1/4	U	775-A230	775-A231	-0.05MPa~0 -0.1MPa~0	MPa 0~0.05 0~0.1 -0.1~0.3 -0.1~0.4 -0.1~0.6 -0.1~1 -0.1~1.5 -0.1~2	MPa 0~0.05 0~0.1 -0.2 -0.3 -0.4 -0.6 -1 -1.5 -2 -2.5 -3.5 -5 -7 -10 -15 -25 -35 -50 *~70 *~100 *~150 *~200	SUS304	Stock	Lid pressed-in	Organic glass	Glycerine solution * Silicon oil particularly used in cold regions.	-5~+45°C for BS,SUS	About 0.3kg
		R 1/4	U	-A630	-A631										
	B mounting hole	G 1/4	U	-B230	-B231										
		R 1/4	U	-B630	-B631										
	D fixture	G 1/4	U	-D230	-D231										
		R 1/4	U	-D630	-D631										
75	A	G 1/4	U	-A240	-A241										
		R 1/4	U	-A640	-A641										
		G 3/8	U	-A340	-A341										
	B mounting hole	G 1/4	U	-B240	-B241										
		R 1/4	U	-B640	-B641										
		G 3/8	U	-B340	-B341										
	D fixture	G 1/4	U	-D240	-D241										
		R 1/4	U	-D640	-D641										
		G 3/8	U	-D340	-D341										
		R 3/8	U	-D740	-D741										
		100	A	G 3/8	U						-A350				-A351
				R 3/8	U						-A750				-A751
G 1/2	U			-A450	-A451										
B mounting hole	G 3/8		U	-B350	-B351										
	R 3/8		U	-B750	-B751										
	G 1/2		U	-B450	-B451										
D fixture	G 3/8	U	-D350	-D351											
	R 3/8	U	-D750	-D751											
	G 1/2	U	-D450	-D451											
	R 1/2	U	-D850	-D851											

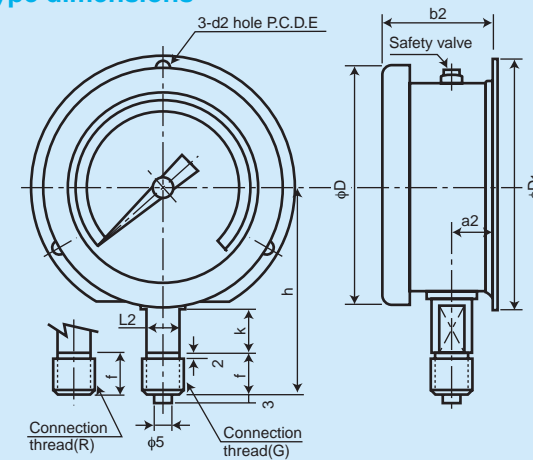
Accuracy: ±1.6%F.S. (-5~+40°C)

\* φ150 is available.

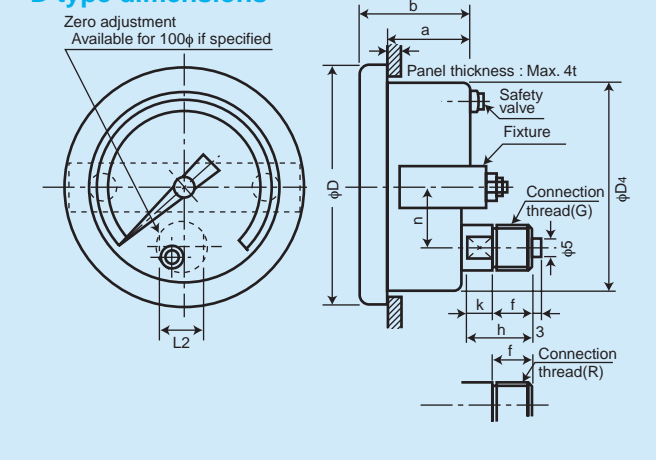
## A type dimensions



## B type dimensions



## D type dimensions



## A type, B type dimensions

Size	Thread	D	D <sub>1</sub>	a <sub>1</sub>	a <sub>2</sub>	b <sub>1</sub>	b <sub>2</sub>	d <sub>2</sub>	E	f	K	L <sub>2</sub>	h
60	G 1/4	66.5	80	13	14	35	36	4.5	72	16	10	12	63
	R 1/4									16			63
75	G 1/4	87	98	16.5	17.5	44	45	5.5	88	16	12	14	75
	R 3/8									18			77
100	G 3/8	118	128	20	20	54	54	5.5	115	18	25	17	102
	R 1/2									20			104

## D type dimensions

Size	Thread	D	D <sub>4</sub>	a	b	n	f	K	L <sub>2</sub>	h
60	G 1/4	66.5	61.5	28	35	18	16	10	12	26
	R 1/4						16			26
75	G 1/4	87	76.5	30	44	25	16	11	14	28
	R 3/8						18			30
100	G 3/8	118	103	41	54	32	18	12	14	29
	R 1/2						20			17

Specifications are subject to change without notice for improvement.

## Special products

Consult the person in charge regarding the special product.

Use this gauge when the external vibration or pulsation is extremely heavy!!

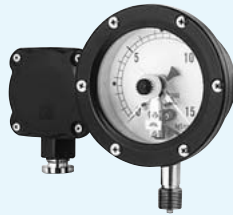
Oil-sealed diaphragm pressure gauge

775E-841A



Oil-sealed pressure gauge with pointer contacts

775E



- 1 Product with micro switch is not available.
  - 2 Product flows current when the indicating pointer contacts the setting pointer.
- Allowable contact current:  
AC100V 0.5A

Oil-sealed diaphragm pressure gauge with P device

775E-841A-X



## Vibration test data of the Oil-sealed pressure gauge

Tested pressure gauges:

- A General type: 100 x 1MPa
- B Glycerine filled type: 100 x 1MPa

Operating oil: Machine oil with dynamic viscosity 0.36cm<sup>2</sup>/S

Room temperature: 17°C

Mounting direction: Y axis direction

Amplitude: ±0.5mm

Reading: Plot the minimum and maximum values when the entire system is vibrated under the load of 0.5MPa.

